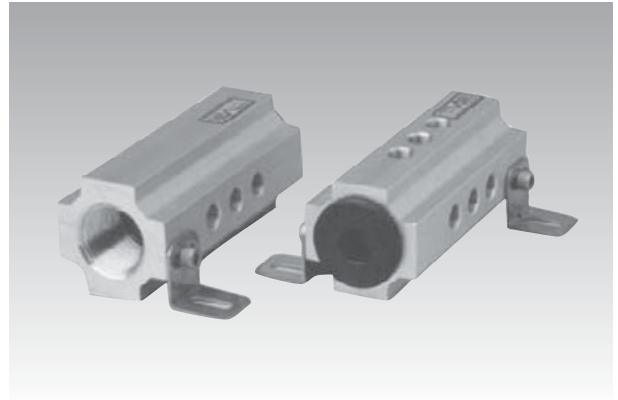


Air / Vacuum Manifolds

Its important to maintain pipe bore size on vacuum circuits when using more than one suction cup.

The Vtec manifolds enable multiple connections to be made back to one common large BSP connection. The manifolds are very compact and are available in a number of configurations to suit most applications. Each manifold is manufactured from lightweight anodised aluminum and comes complete with mounting brackets and one end plugged.



Order no.

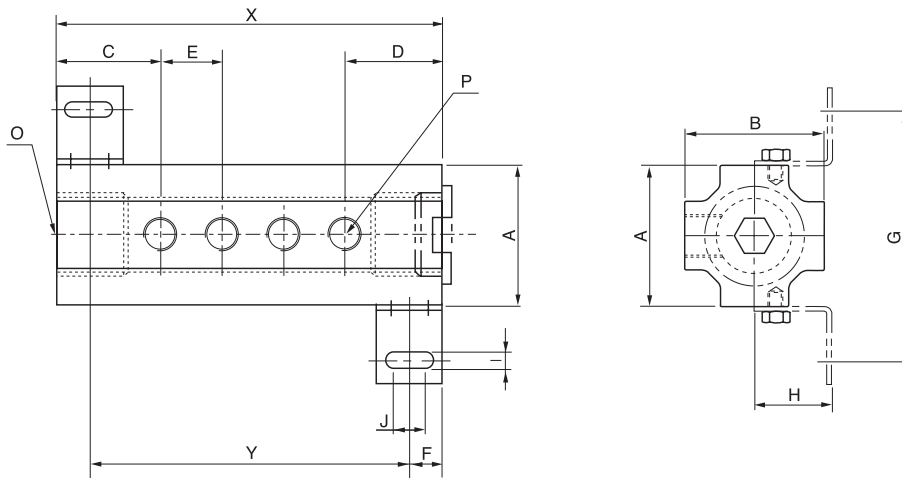
※ n : Distributor " P " Port Quantity

MODEL	Supply Port Size	Manifold Port Size	(MAX) Manifold Port Q'ty
VTDF38-18Xn	G3/8 "	G1/8 "	60
VTDF12-18Xn	G1/2 "	G1/8 "	60
VTDF12-14Xn	G1/2 "	G1/4 "	50
VTDF34-18Xn	G3/4 "	G1/8 "	60
VTDF34-14Xn	G3/4 "	G1/4 "	50
VTDF34-38Xn	G3/4 "	G3/8 "	45
VTDL38-18Xn	G3/8 "	G1/8 "	120
VTDL12-18Xn	G1/2 "	G1/8 "	120
VTDL12-14Xn	G1/2 "	G1/4 "	100
VTDL34-18Xn	G3/4 "	G1/8 "	120
VTDL34-14Xn	G3/4 "	G1/4 "	100
VTDL34-38Xn	G3/4 "	G3/8 "	90
VTDC38-18Xn	G3/8 "	G1/8 "	120
VTDC12-18Xn	G1/2 "	G1/8 "	120
VTDC12-14Xn	G1/2 "	G1/4 "	100
VTDC34-18Xn	G3/4 "	G1/8 "	120
VTDC34-14Xn	G3/4 "	G1/4 "	100
VTDC34-38Xn	G3/4 "	G3/8 "	90
VTDE38-18Xn	G3/8 "	G1/8 "	180
VTDE12-18Xn	G1/2 "	G1/8 "	180
VTDE12-14Xn	G1/2 "	G1/4 "	150
VTDE34-18Xn	G3/4 "	G1/8 "	180
VTDE34-14Xn	G3/4 "	G1/4 "	150
VTDE34-38Xn	G3/4 "	G3/8 "	130

※ Please contact Vtec for special type.

Dimensional Data

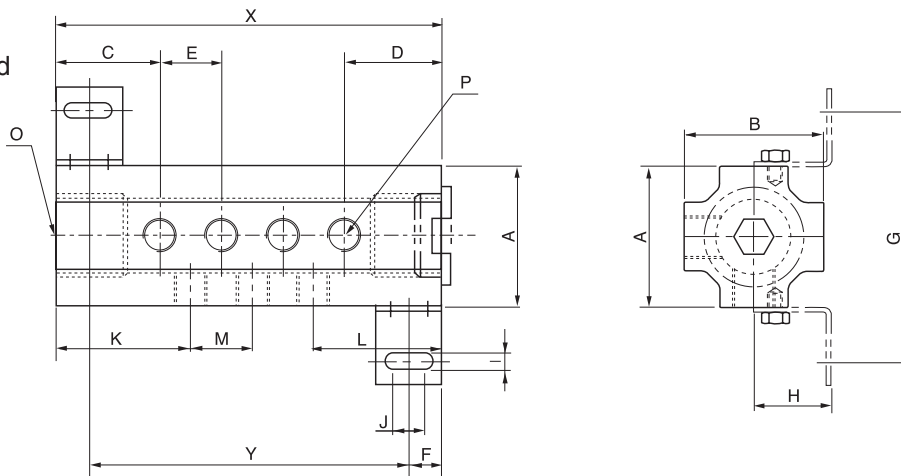
VTDF Series (Ports on top only)



※ n : Distributor " P " Port Quantity

MODEL	Vacuum port size (O)	Distributor port size (P)	Distributor port Qty max.(n)	A	B	C	D	E	F	G	H	I	J	X	Y
VTDF38-18Xn	G3/8"	G1/8"	60	35	35	21,5	21,5	17	10,5	67	18	5,5	10	(n X17)+26	X-21
VTDF12-18Xn	G1/2"	G1/8"	60	35	35	21,5	21,5	17	10,5	67	18	5,5	10	(n X17)+26	X-21
VTDF12-14Xn	G1/2"	G1/4"	50	35	35	19	19	22	10,5	67	18	5,5	10	(n X22)+16	X-21
VTDF34-18Xn	G3/4"	G1/8"	60	45	45	26,5	26,5	17	10,5	80	25	5,5	10	(n X17)+36	X-21
VTDF34-14Xn	G3/4"	G1/4"	50	45	45	29	29	22	10,5	80	25	5,5	10	(n X22)+36	X-21
VTDF34-38Xn	G3/4"	G3/8"	45	45	45	27,5	27,5	25	10,5	80	25	5,5	10	(n X25)+30	X-21

VTDL - Series (Ports on top and one side)



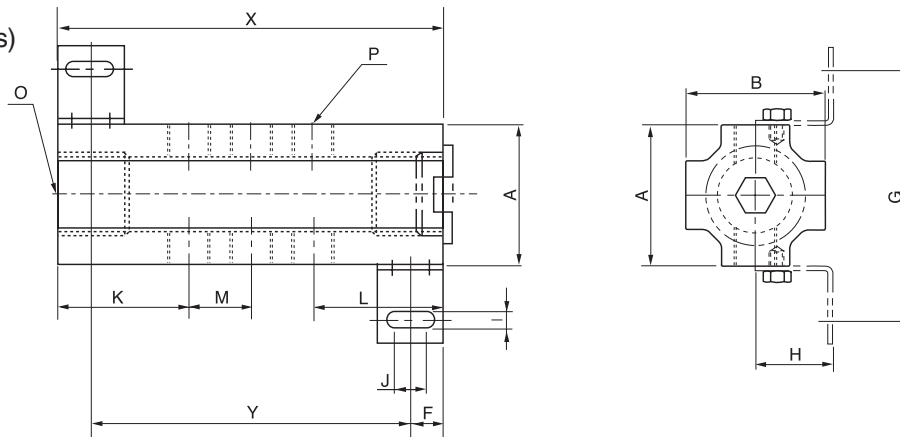
※ n : Distributor " P " Port Quantity

MODEL	Vacuum port size (O)	Distributor port size (P)	Distributor port Qty max.(n)	A	B	C	D	E	F	G	H	I	J	K	L	M	X	Y
VTDL38-18Xn	G3/8"	G1/8"	120	35	35	21,5	21,5	17	10,5	67	18	5,5	10	30	30	17	※ Please contact Vtec for the dimension.	
VTDL12-18Xn	G1/2"	G1/8"	120	35	35	21,5	21,5	17	10,5	67	18	5,5	10	30	30	17		
VTDL12-14Xn	G1/2"	G1/4"	100	35	35	19	19	22	10,5	67	18	5,5	10	30	30	22		
VTDL34-18Xn	G3/4"	G1/8"	120	45	45	26,5	26,5	17	10,5	80	25	5,5	10	35	35	17		
VTDL34-14Xn	G3/4"	G1/4"	100	45	45	29	29	22	10,5	80	25	5,5	10	40	40	22		
VTDL34-38Xn	G3/4"	G3/8"	90	45	45	27,5	27,5	25	10,5	80	25	5,5	10	40	40	25		

Dimensional Data

VTDC - Series

(Ports on both sides)

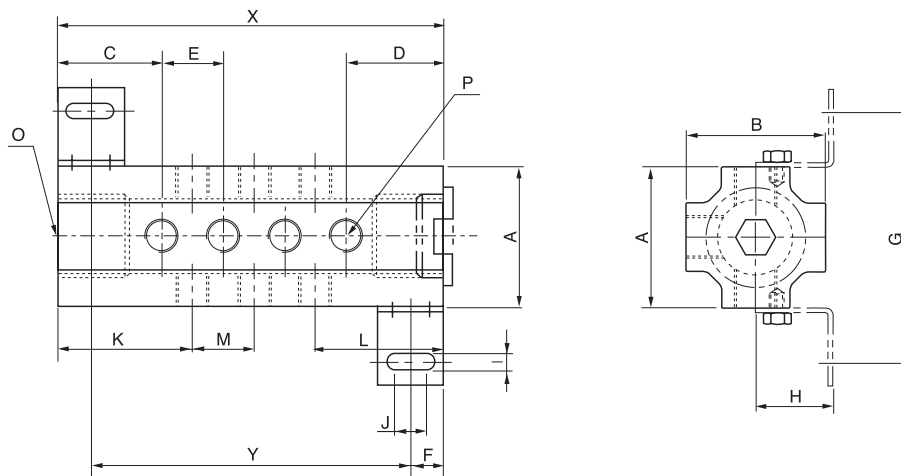


※ n : Distributor " P " Port Quantity

MODEL	Vacuum port size (O)	Distributor port size (P)	Distributor port Qty max.(n)	A	B	F	G	H	I	J	K	L	M	X	Y
VTDC38-18Xn	G3/8"	G1/8"	120	35	35	10,5	67	18	5,5	10	30	30	17	(n X 17)+43	X-21
VTDC12-18Xn	G1/2"	G1/8"	120	35	35	10,5	67	18	5,5	10	30	30	17	(n X 17)+43	X-21
VTDC12-14Xn	G1/2"	G1/4"	100	35	35	10,5	67	18	5,5	10	30	30	22	(n X 22)+38	X-21
VTDC34-18Xn	G3/4"	G1/8"	120	45	45	10,5	80	25	5,5	10	35	35	17	(n X 17)+53	X-21
VTDC34-14Xn	G3/4"	G1/4"	100	45	45	10,5	80	25	5,5	10	40	40	22	(n X 22)+58	X-21
VTDC34-38Xn	G3/4"	G3/8"	90	45	45	10,5	80	25	5,5	10	40	40	25	(n X 25)+55	X-21

VTDE - Series

(Ports on top and both sides)



※ n : Distributor " P " Port Quantity

MODEL	Vacuum port size (O)	Distributor port size (P)	Distributor port Qty max.(n)	A	B	C	D	E	F	G	H	I	J	K	L	M	X	Y
VTDE38-18Xn	G3/8"	G1/8"	180	35	35	21,5	21,5	17	10,5	67	18	5,5	10	30	30	17	※ Please contact Vtec for the dimension.	
VTDE12-18Xn	G1/2"	G1/8"	180	35	35	21,5	21,5	17	10,5	67	18	5,5	10	30	30	17		
VTDE12-14Xn	G1/2"	G1/4"	150	35	35	30	30	22	10,5	67	18	5,5	10	30	30	22		
VTDE34-18Xn	G3/4"	G1/8"	180	45	45	26,5	26,5	17	10,5	80	25	5,5	10	35	35	17		
VTDE34-14Xn	G3/4"	G1/4"	150	45	45	29	29	22	10,5	80	25	5,5	10	40	40	22		
VTDE34-38Xn	G3/4"	G3/8"	130	45	45	27,5	27,5	25	10,5	80	25	5,5	10	40	40	25		